



Alumil

▶ SMARTIA
PG 1 15P Ithaca

State-of-the-art pergolas that



Elevate your outdoor space



Aluminium pergolas with fully automated rotating louvers, powered by the same innovative rotating mechanism used in PG120P Mykonos & PG160P Santorini.

They are specially designed to offer almost noiseless, adjustable shading and regulated brightness, controlled natural ventilation and total protection from rain, converting an outdoor space into a very comfortable living experience.

INCOMPARABLE ADVANTAGES

- / Totally controlled living conditions for maximum comfort.
- / Minimal design, with straight lines and flat surfaces, that create a high-aesthetics outcome.
- / Top sturdiness, which allows large dimensions without any problems against strong wind loads (up to 3.0 m height, 4.0 m width & 5.0 m projection, i.e. 20 sqm).
- / High levels of watertightness and an effective drainage system, that helps the rainwater stream down to the floor via its poles.
- / Ease of installation, thanks to its modular design, which guarantees the smooth final construction outcome.
- / Innovative rotation system, which offers an almost noiseless operation, highly durable in time.

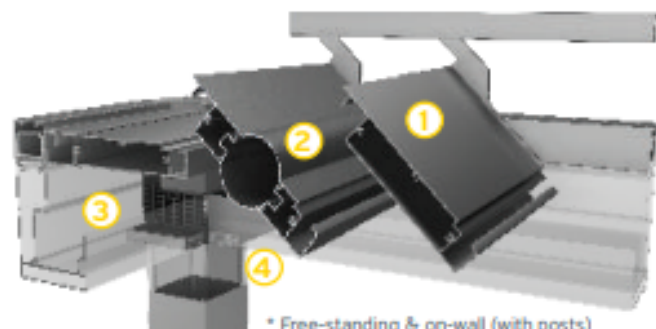
integrate elegance with premium living





FREE-STANDING & ON-WALL SOLUTIONS (WITH POSTS)

1. High levels of watertightness and leakage avoidance. The incorporated roof system is the one used in the successful PG 1 20P Mykonos & PG 1 60P Santorini.
2. Innovative rotation mechanism, placed inside a special louver, with flawless, long-lasting operation.
3. Effective water drainage system, from the top to the bottom via the posts, using special rubber components and gutter profiles of large dimensions.
4. The modular connection of mullion with transom profiles contributes to the robustness and ease of construction.



* Free-standing & on-wall (with posts)

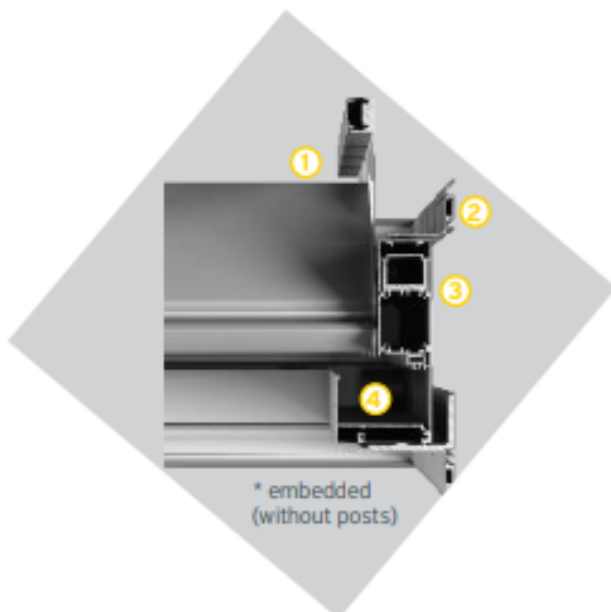


When shading
subtly blends in
with the scenery

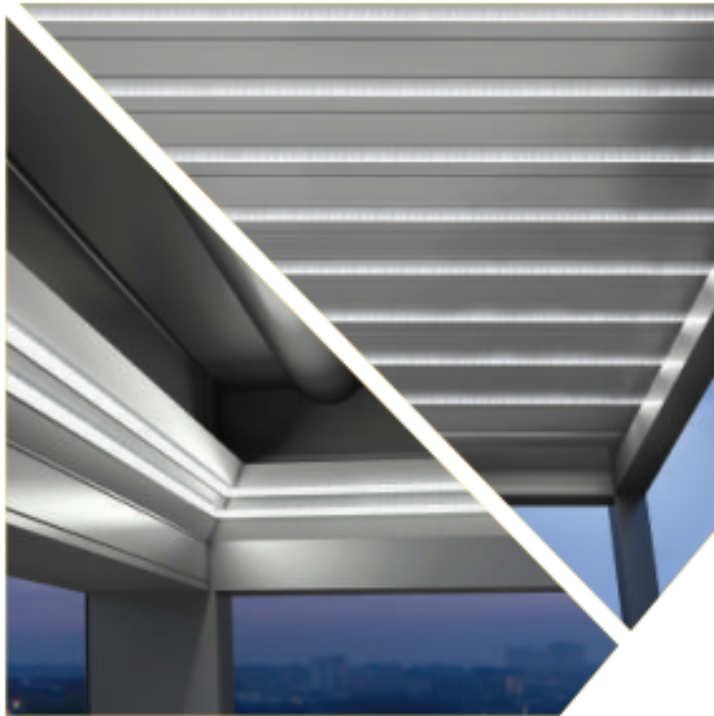
EMBEDDED SOLUTIONS

PG1 15P Ithaca allows completely embedded installation on existing concrete or metal construction. It differs from the solutions with posts in terms of profile connection and it shows high waterproofing levels and ease of installation as well.

This typology is placed in prefabricated framing structures, suitable for modern residences, hotels, dining areas, bungalows, etc.



1. Flawless operation of the mechanism that stands the test of time.
2. The masonry is protected from moisture via special profiles that seal around the whole structure.
3. The special design with divided profiles (transoms), takes into account the difficulties in access during installation and ensures easy and smooth construction.
4. Rainwater runoff can take place at any point around the perimeter and without any visible points.



DIMMABLE LED LIGHTING

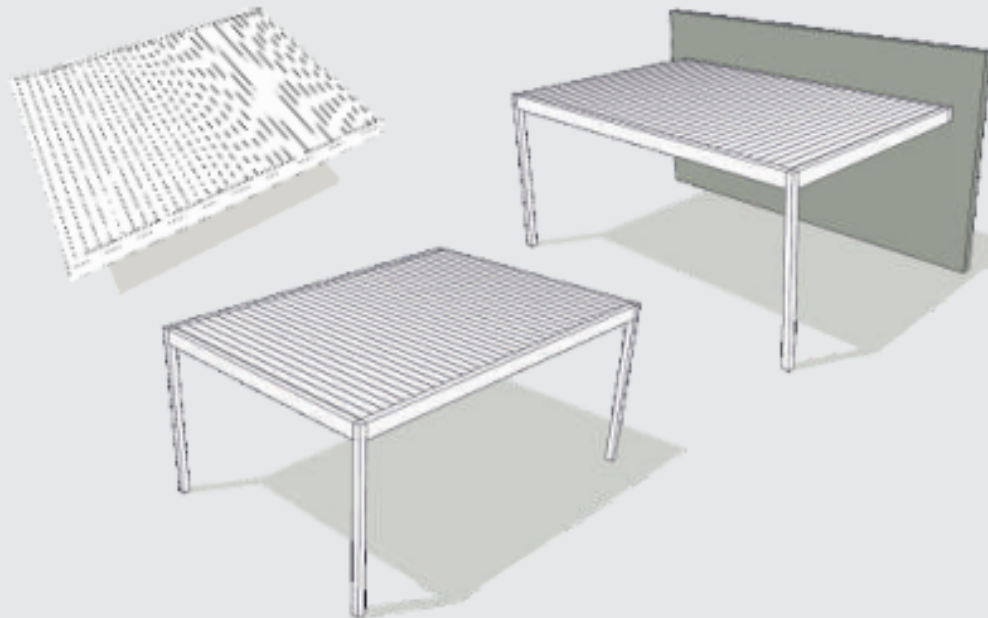
Multiple LED solutions can be placed on the louvers and perimetrically on the transoms, offering warm - visible or concealed - lighting, for dining, reading and moments of relaxation during nighttime.

Continuous and not interrupted lighting of high quality and brightness (9.6 Watt). Warm (3200 Kelvin).

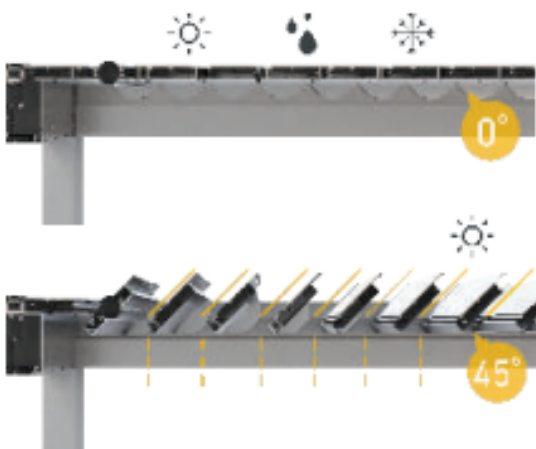
TYOLOGIES

Available in a prefabricated kit of single pergolas

- / Free standing, single pergola with four (4) posts.
- / Wall mounted, single pergola with two (2) posts.
- / Embedded in an existing metal or concrete structure, without posts.



LOUVER POSITIONING



Explore all of
our outdoor solutions at

www.alumil.com



**ALUMIL
HEAD OFFICES
& SHOWROOM - THESSALONIKI**

GOGOUSI 8, EFKARPIA
THESSALONIKI - GR 56429
TEL.: +30 2313 011000
FAX: +30 2310 692473
E-MAIL: info@alumil.com

**ALUMIL
OFFICES & SHOWROOM - ATHENS**

TATOIOU AVENUE 67, ACHARNES
ATHENS - GR 13677
TEL.: +30 210 6298100
FAX: +30 210 8003801
EMAIL: athina@alumil.com

**ALUMIL
HEADQUARTERS & FACTORY**

KILKIS INDUSTRIAL AREA
KILKIS - GR 61100
TEL.: +30 23410 79300
FAX: +30 23410 71988
EMAIL: info@alumil.com

alumil

www.alumil.com